

## Features

- **208nA (Typ) Low Power Consumption**
- **Fast, 13us Propagation Delay**
- **Single-Supply Operation from +1.4V ~ +5.5V**
- **Low Offset Voltage: 3mV (Max)**
- **Rail-to-Rail Input and Output**
- **CMOS/TTL-Compatible Output**
- **Internal Hysteresis for Clean Switching**
- **No Phase Reversal for Overdriven Inputs**
- **Operating Temperature: -40°C ~ +85°C**
- **Small Package:**
  - GS8011 Available in SOT23-5 and SC70-5 Packages
  - GS8011Y Available in SOT23-5 and SC70-5 Packages
  - GS8011U Available in SOT23-6 and SC70-6 Packages
  - GS8011N Available in SOP-8 and MSOP-8 Packages
  - GS8011NU Available in SOP-8 and MSOP-8 Packages
  - GS8012 Available in SOP-8 and MSOP-8 Packages
  - GS8012Y Available in SOP-8 and MSOP-8 Packages

## General Description

The GS8011 is ultra-low-power comparator with internal hysteresis, optimized for systems powered from a 3V or 5V supply. The device features high-speed response, low-power consumption, low offset voltage, and rail-to-rail input and output range. Propagation delay is 13us (100mV overdrive), while supply current is 208nA per comparator. The internal input hysteresis eliminates output switching due to internal input noise voltage. The maximum input offset voltage is 3mV, and the operating range is from 1.4V to 5.5V.

All devices are specified for the temperature range of -40°C to +85°C. The GS8011 and GS8011Y single are available in Green SC70-5 and SOT23-5 packages. The GS8011U single is available in Green SC70-6 and SOT23-6 packages. The GS8011N dual is available in Green SOP-8 and MSOP-8 packages. The GS8011NU dual is available in Green SOP-8 and MSOP-8 packages. The GS8012 and GS8012Y dual are available in Green SOP-8 and MSOP-8 packages.

## Applications

- Alarm and Monitoring Circuits
- Peak and Zero-crossing Detectors
- Logic Level Shifting or Translation
- RC Timers
- Window Comparators
- IR Receivers
- Portable Systems

Pin Configuration

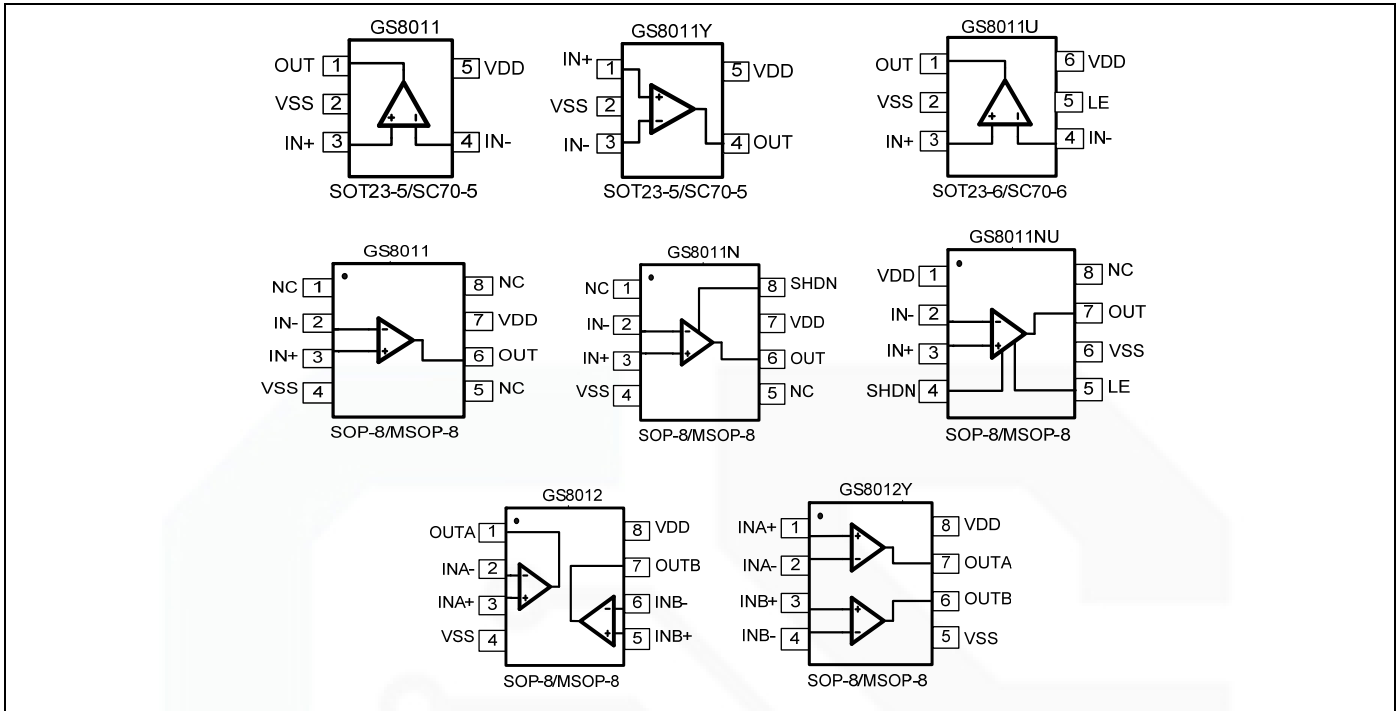


Figure 1. Pin Assignment Diagram

### Absolute Maximum Ratings

Condition	Min	Max
Power Supply Voltage ( $V_{DD}$ to $V_{SS}$ )	-0.5V	+7.5V
Analog Input Voltage (IN+ or IN-)	$V_{SS}-0.5V$	$V_{DD}+0.5V$
PDB Input Voltage	$V_{SS}-0.5V$	+7V
Operating Temperature Range	-40°C	+85°C
Junction Temperature	+160°C	
Storage Temperature Range	-55°C	+150°C
Lead Temperature (soldering, 10sec)	+260°C	
<b>Package Thermal Resistance (<math>T_A=+25^\circ\text{C}</math>)</b>		
SOP-8, $\theta_{JA}$	125°C/W	
MSOP-8, $\theta_{JA}$	216°C/W	
SOT23-5, $\theta_{JA}$	190°C/W	
SOT23-6, $\theta_{JA}$	190°C/W	
SC70-5, $\theta_{JA}$	333°C/W	
<b>ESD Susceptibility</b>		
HBM	4KV	
MM	300V	

Note: Stress greater than those listed under Absolute Maximum Ratings may cause permanent damage to the device. This is a stress rating only and functional operation of the device at these or any other conditions outside those indicated in the operational sections of this specification are not implied. Exposure to absolute maximum rating conditions for extended periods may affect reliability.

Package/Ordering Information

MODEL	CHANNEL	ORDER NUMBER	PACKAGE DESCRIPTION	PACKAGE OPTION	MARKING INFORMATION
GS8011	Single	GS8011-CR	SC70-5	Tape and Reel,3000	8011
		GS8011-TR	SOT23-5	Tape and Reel,3000	8011
GS8011Y	Single	GS8011Y-CR	SC70-5	Tape and Reel,3000	011Y
		GS8011Y-TR	SOT23-5	Tape and Reel,3000	011Y
GS8011U	Single	GS8011U-CR	SC70-6	Tape and Reel,3000	011U
		GS8011U-TR	SOT23-6	Tape and Reel,3000	011U
GS8011N	Single	GS8011N-SR	SOP-8	Tape and Reel,4000	GS8011N
		GS8011N-MR	MSOP-8	Tape and Reel,3000	GS8011N
GS8011NU	Single	GS8011NU-SR	SOP-8	Tape and Reel,4000	GS8011NU
		GS8011NU-MR	MSOP-8	Tape and Reel,3000	GS8011NU
GS8012	Dual	GS8012-SR	SOP-8	Tape and Reel,4000	GS8012
		GS8012-MR	MSOP-8	Tape and Reel,3000	GS8012
GS8012Y	Dual	GS8012Y-SR	SOP-8	Tape and Reel,4000	GS8012Y
		GS8012Y-MR	MSOP-8	Tape and Reel,3000	GS8012Y

## Electrical Characteristics

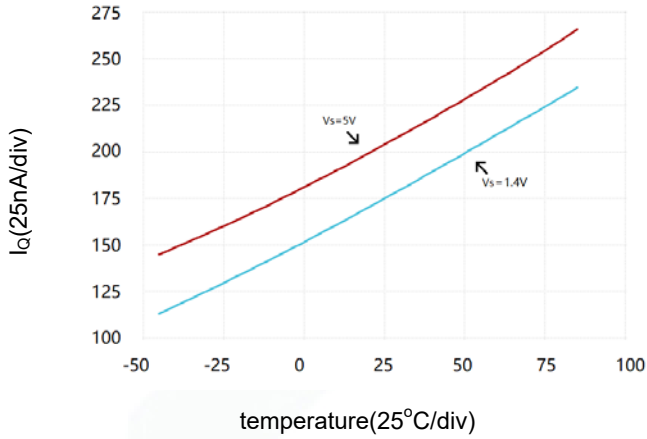
 (At  $V_S = +5V$ ,  $V_{CM} = 0V$ ,  $C_L = 15pF$ , and  $T_A = +25^\circ C$ , unless otherwise noted.)

PARAMETER	SYMBOL	CONDITIONS				
			TYP	MIN	MAX	UNITS
<b>INPUT CHARACTERISTICS</b>						
Input Offset Voltage	$V_{OS}$	$V_{CM} = 0V$	0.5		3	mV
Input Bias Current	$I_B$		6			pA
Input Offset Current	$I_{OS}$		4			pA
Input Hysteresis	$V_{hys}$		4			mV
Common-Mode Voltage Range	$V_{CM}$	$V_S = 5.5V$	-0.1 to +5.6			V
Common-Mode Rejection Ratio	CMRR	$V_S = 5V$ , $V_{CM} = 0V$ to $5V$	76	63		dB
<b>OUTPUT CHARACTERISTICS</b>						
Output Voltage Swing from Rail	$V_{OH}$	$V_S=5V$ , $I_O = 1mA$	$V_S - 0.1$		$V_S - 0.3$	V
	$V_{OL}$		114.6		300	mV
Output Short-Circuit Current	$I_{SOURCE}$	$V_S = 5V$	22			mA
	$I_{SINK}$		20			
<b>POWER SUPPLY</b>						
Operating Voltage Range			1.4			V
			5.5			V
Power Supply Rejection Ratio	PSRR	$V_S = +1.4V$ to $+5.5V$ , $V_{CM} = 0V$	102	74		dB
Quiescent Current / Comparator	$I_Q$		208		2000	nA
<b>DYNAMIC PERFORMANCE (CL = 15pF)</b>						
Propagation Delay (Low to High)	$T_{dLH}$	$V_S = 3V$ , Overdrive = 10mV	11			$\mu s$
		$V_S = 3V$ , Overdrive = 100mV	13			$\mu s$
Propagation Delay (High to Low)	$T_{dHL}$	$V_S = 3V$ , Overdrive = 10mV	18.7			$\mu s$
		$V_S = 3V$ , Overdrive = 100mV	4.9			$\mu s$
Rise Time	$T_r$	$V_S = 3V$ , Overdrive = 10mV	10			ns
		$V_S = 3V$ , Overdrive = 100mV	9			ns
Fall Time	$T_f$	$V_S = 3V$ , Overdrive = 10mV	18.7			ns
		$V_S = 3V$ , Overdrive = 100mV	10			ns

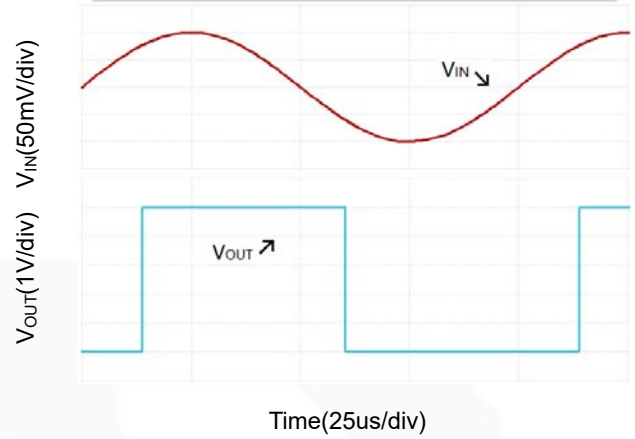
### Typical Performance characteristics

At  $T_A=+25^{\circ}\text{C}$ ,  $V_S=+5\text{V}$ , and  $C_L=15\text{pF}$ , unless otherwise noted.

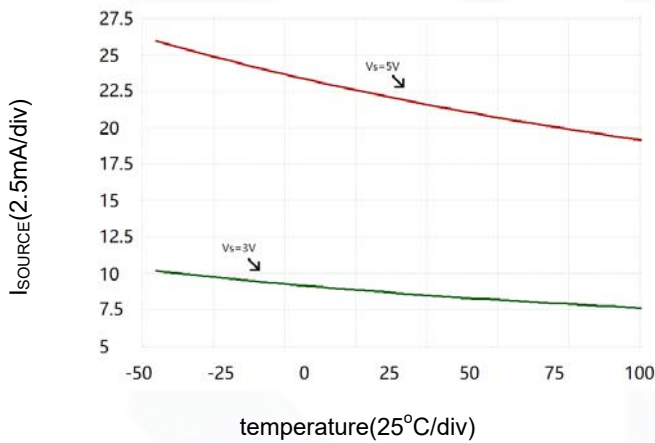
Supply Current vs. Temperature



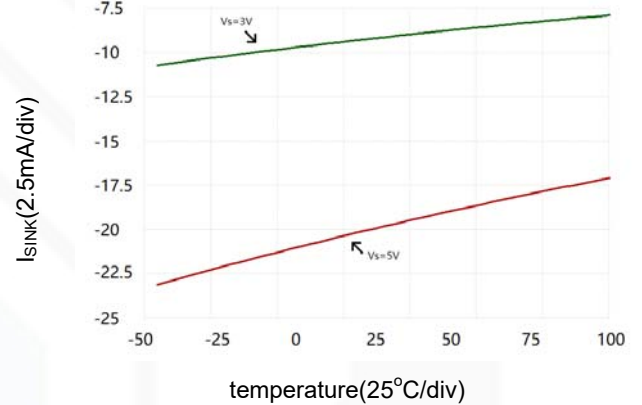
Sinusoid Response at 10KHz



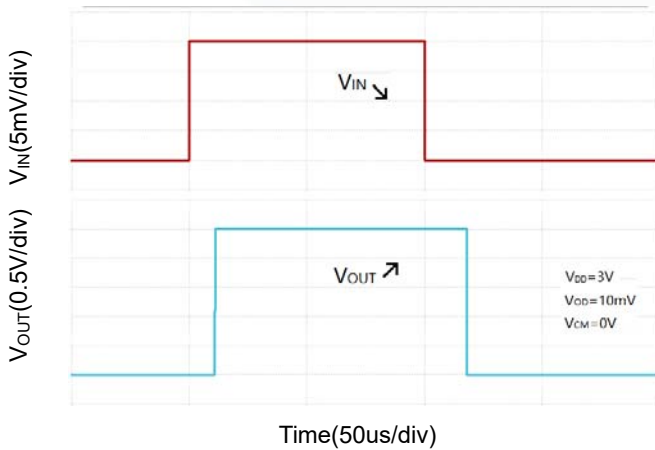
Output Short-Circuit (Source) Current vs. Temperature



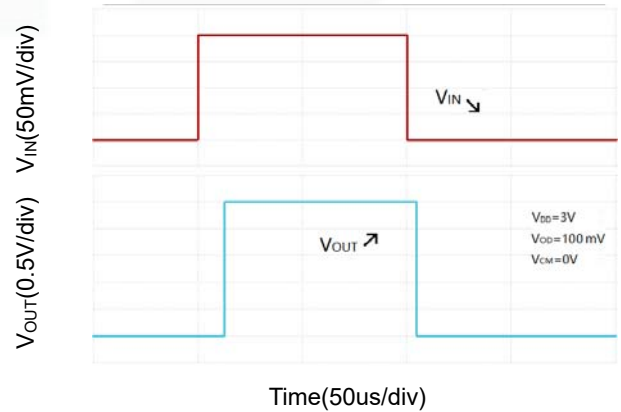
Output Short-Circuit (Sink) Current vs. Temperature



Propagation Delay (L-H&H-L)



Propagation Delay (L-H&H-L)



## Application Note

### Size

GS8011 comparator is ultra-low-power, high-speed and suitable for a wide range of general-purpose applications. The small footprints of the GS8011 package saves space on printed circuit boards and enable the design of smaller electronic products. The GS8011 interfaces directly to CMOS and TTL logics.

### Power Supply Bypassing and Board Layout

GS8011 operates from a single 1.4V to 5.5V supply or dual  $\pm 0.7V$  to  $\pm 2.75V$  supplies. For best performance, a 0.1 $\mu F$  ceramic capacitor should be placed close to the V<sub>DD</sub> pin in single supply operation. For dual supply operation, both V<sub>DD</sub> and V<sub>SS</sub> supplies should be bypassed to ground with separate 0.1 $\mu F$  ceramic capacitors.

### Low Supply Current

The low supply current (typical 208nA per channel) of GS8011 will help to maximize battery life. They are ideal for battery powered systems.

### Operating Voltage

GS8011 operates under wide input supply voltage (1.4V to 5.5V). In addition, all temperature specifications apply from -40°C to +85°C. Most behavior remains unchanged throughout the full operating voltage range. These guarantees ensure operation throughout the single Li-Ion battery lifetime

### Rail-to-Rail Input

The input common-mode range of GS8011 extends 100mV beyond the supply rails (V<sub>SS</sub>-0.1V to V<sub>DD</sub>+0.1V). This is achieved by using complementary input stage. For normal operation, inputs should be limited to this range.

### Internal Hysteresis

Because of noise or undesired parasitic feedback, high-speed comparators oscillate in the linear region. Oscillation tends to occur when the voltage on one input is at or equal to the voltage on the other input. The GS806 family eliminates this undesired oscillation by integrating an internal hysteresis of 4.0mV.

The hysteresis in a comparator creates two trip points: one for the rising input voltage and one for the falling input voltage (Figure 2). The difference between two trip points is the hysteresis, while the average of two trip points is the offset voltage. When the comparator's input voltages are equal, the hysteresis effectively causes one comparator input voltage to move quickly past the other, thus taking the input out of the region where oscillation occurs.

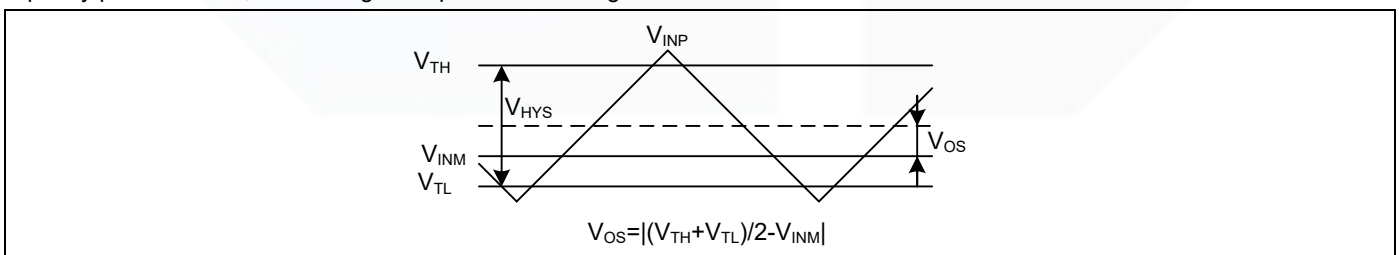


Figure 2. Comparator's hysteresis and offset

### External Hysteresis

Greater flexibility in selecting hysteresis is achieved by using external resistors. Hysteresis reduces output chattering when one input is slowly moving past the other.

Non-Inverting Comparator with Hysteresis

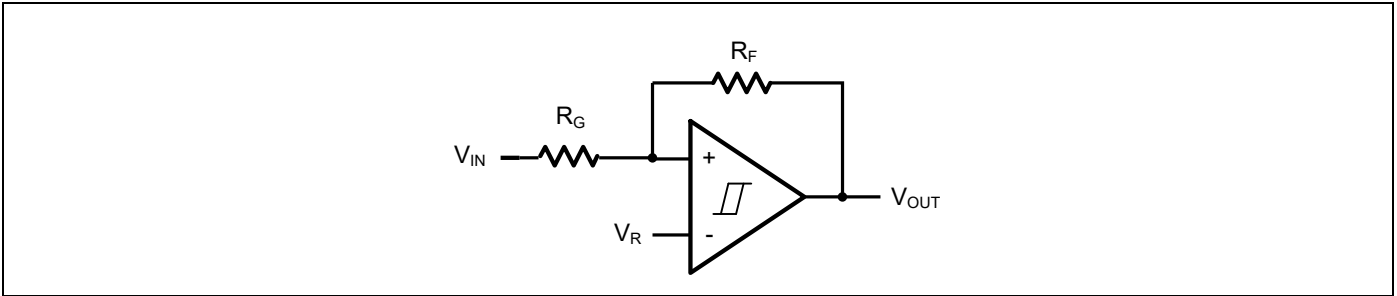


Figure 3. Non-Inverting Comparator with Hysteresis

A non-inverting comparator with hysteresis requires a two-resistor network, as shown in Figure 3 and a voltage reference ( $V_R$ ) at the inverting input.

$$V_{TH} = \frac{R_G + R_F}{R_F} \times V_R$$

$$V_{TL} = \frac{R_G + R_F}{R_F} \times V_R - \frac{R_G}{R_F} \times V_{DD}$$

$$V_{HYS} = \frac{R_G}{R_F} \times V_{DD}$$

Inverting Comparator with Hysteresis

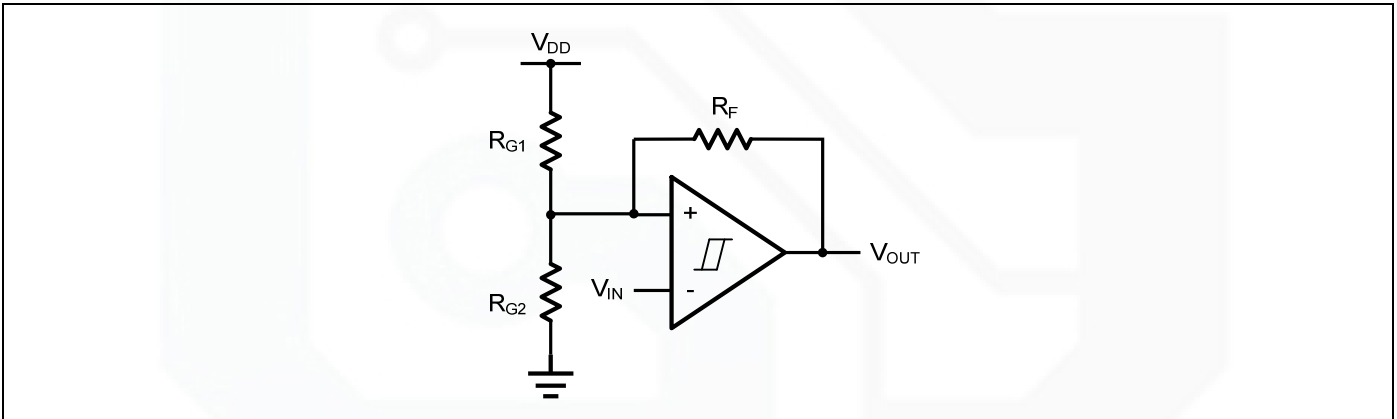


Figure 4. Inverting Comparator with Hysteresis

The inverting comparator with hysteresis requires a three-resistor network that is referenced to the comparator supply voltage ( $V_{DD}$ ), as shown in Figure 4.

$$V_{TH} = \frac{R_{G2}}{R_{G1} \parallel R_F + R_{G2}} \times V_{DD}$$

$$V_{TL} = \frac{R_{G2} \parallel R_F}{R_{G2} \parallel R_F + R_{G1}} \times V_{DD}$$

$$V_{HYS} = \frac{R_{G1} \parallel R_{G2}}{R_{G1} \parallel R_{G2} + R_F} \times V_{DD}$$



## Typical Application Circuits

### Line Receiver

A Line Receiver using GS8011 is shown in Figure 5. Resistors  $R_{G1}$  and  $R_{G2}$  set the bias point at the comparator's inverting input.  $R_{IN}$  should be same as  $R_{G1} || R_{G2}$  to get a better match. GS8011 detects the voltage of the Coax Line, and outputs logic high or logic low quickly with no glitch.

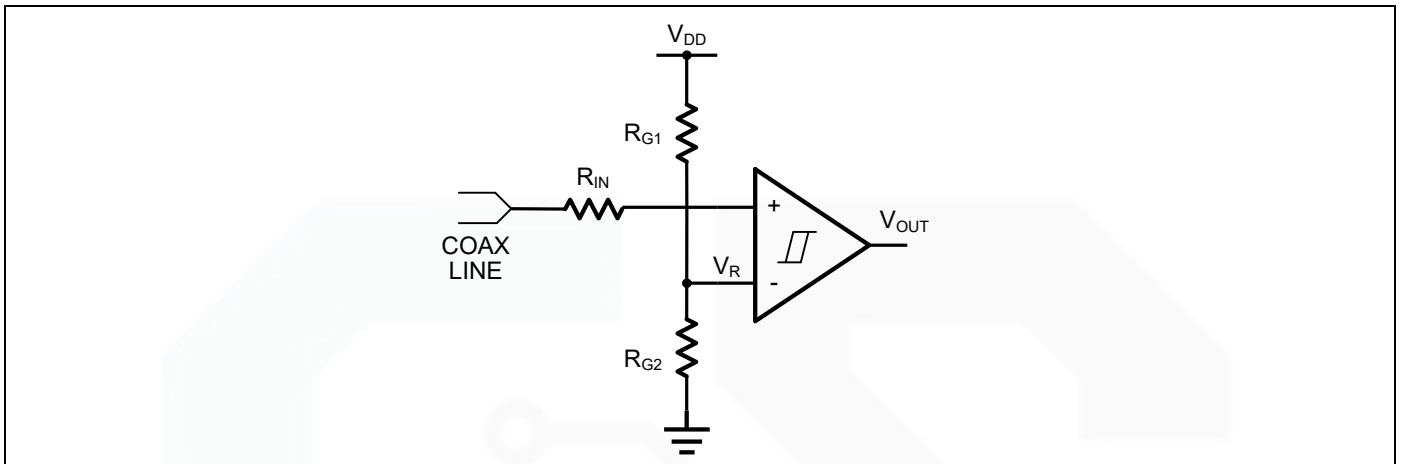


Figure 5. Line Receiver

### IR Receiver

GS8011 is an ideal candidate to be used as an infrared receiver shown in Figure 6. The infrared photo diode creates a current relative to the amount of infrared light present. The current creates a voltage across  $R_{IN}$ . When this voltage level cross the voltage applied by the voltage divider to the inverting input, the output transitions. Optional  $R_F$  provides additional hysteresis for noise immunity.

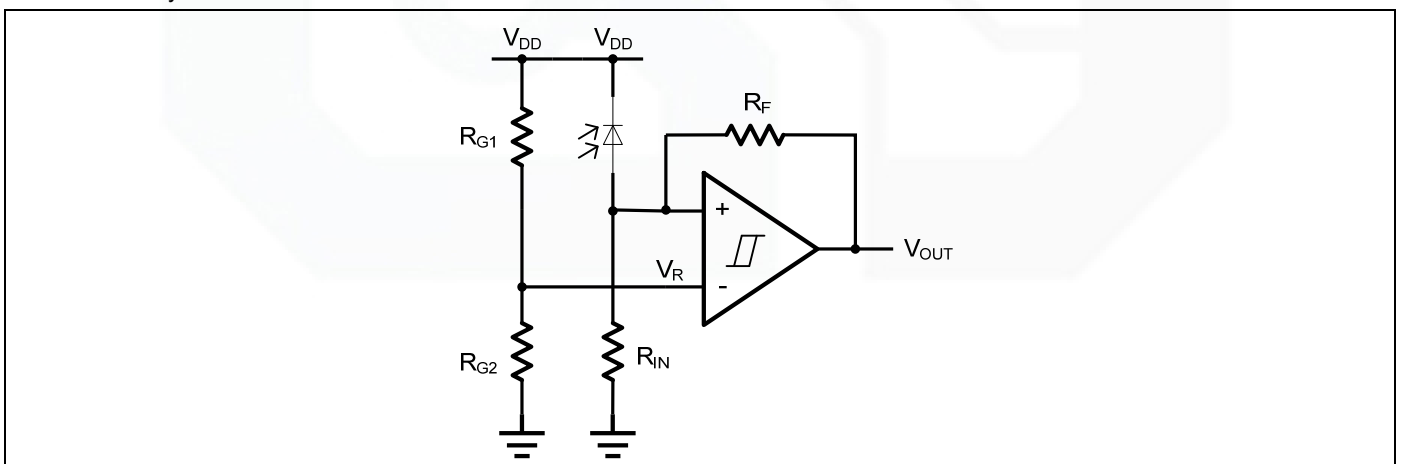


Figure 6. IR Receiver

Oscillator

A oscillator using GS8011 is shown in Figure 7. Resistors  $R_{G1}$  and  $R_{G2}$  set the bias point at the comparator's inverting input. The period of oscillator is set by the time constant of  $R_C$  and  $C_{IN}$ . The maximum frequency is limited by the large signal propagation delay of the comparator. GS8011 is low propagation delay guarantees the high frequency oscillation.

If  $R_{G1}=R_{G2}=R_F$ , then the frequency of the oscillator is:

$$f_{osc} = \frac{1}{2 \times \ln 2 \times R_C \times C_{IN}}$$

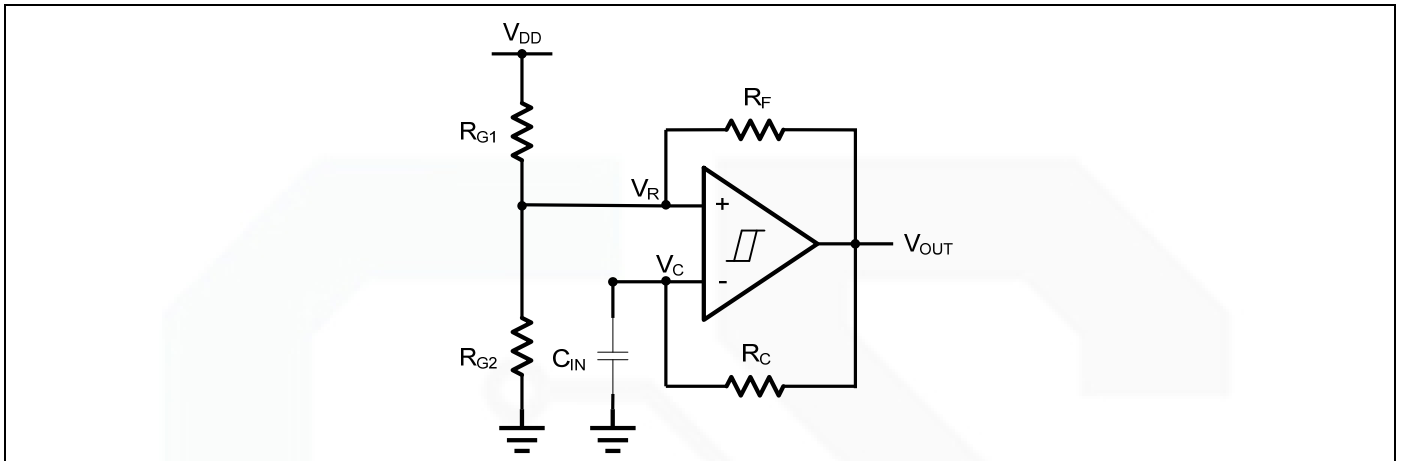
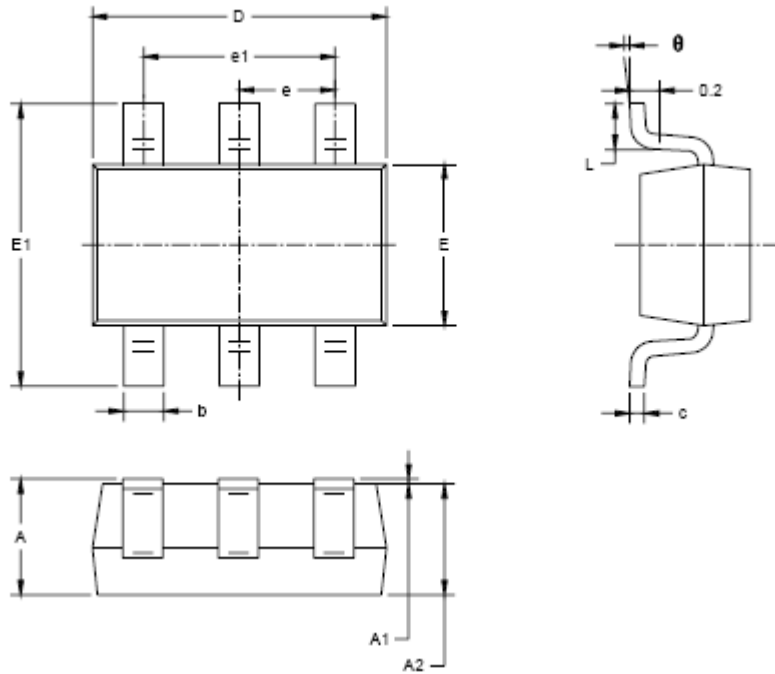


Figure 7. Oscillator

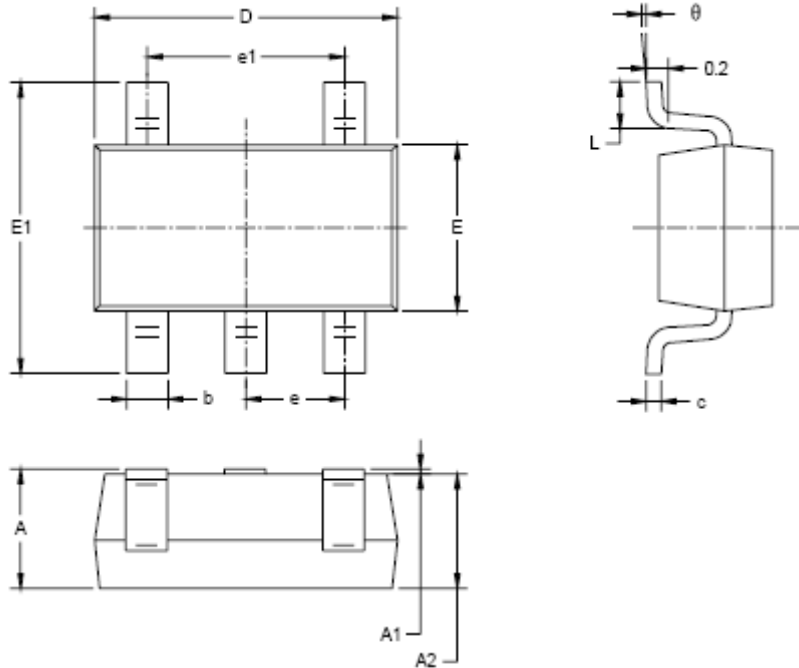
Package Information

SOT23-6



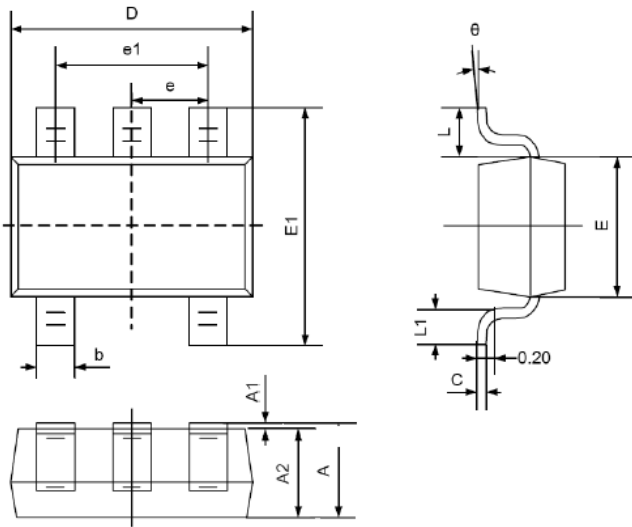
Symbol	Dimensions In Millimeters		Dimensions In Inches	
	MIN	MAX	MIN	MAX
A	1.050	1.250	0.041	0.049
A1	0.000	0.100	0.000	0.004
A2	1.050	1.150	0.041	0.045
b	0.300	0.500	0.012	0.020
c	0.100	0.200	0.004	0.008
D	2.820	3.020	0.111	0.119
E	1.500	1.700	0.059	0.067
E1	2.650	2.950	0.104	0.116
e	0.950 BSC		0.037 BSC	
e1	1.900 BSC		0.075 BSC	
L	0.300	0.600	0.012	0.024
θ	0°	8°	0°	8°

SOT23-5



Symbol	Dimensions In Millimeters		Dimensions In Inches	
	MIN	MAX	MIN	MAX
A	1.050	1.250	0.041	0.049
A1	0.000	0.100	0.000	0.004
A2	1.050	1.150	0.041	0.045
b	0.300	0.500	0.012	0.020
c	0.100	0.200	0.004	0.008
D	2.820	3.020	0.111	0.119
E	1.500	1.700	0.059	0.067
E1	2.650	2.950	0.104	0.118
e	0.950 BSC		0.037 BSC	
e1	1.900 BSC		0.075 BSC	
L	0.300	0.600	0.012	0.024
$\theta$	0°	8°	0°	8°

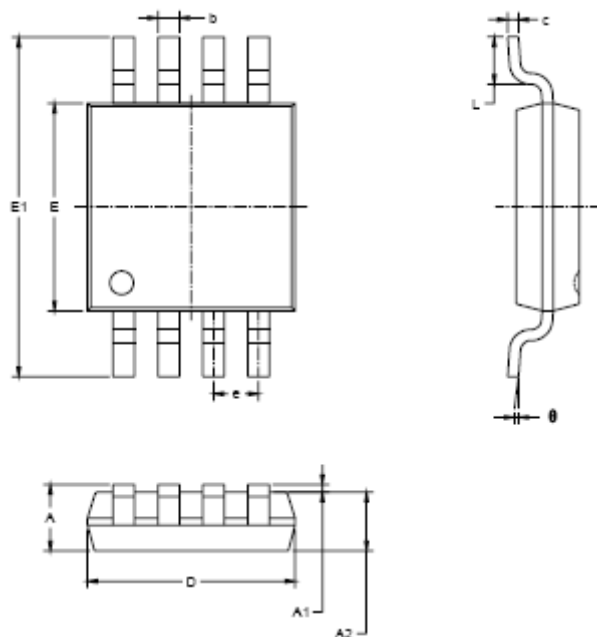
SC70-5



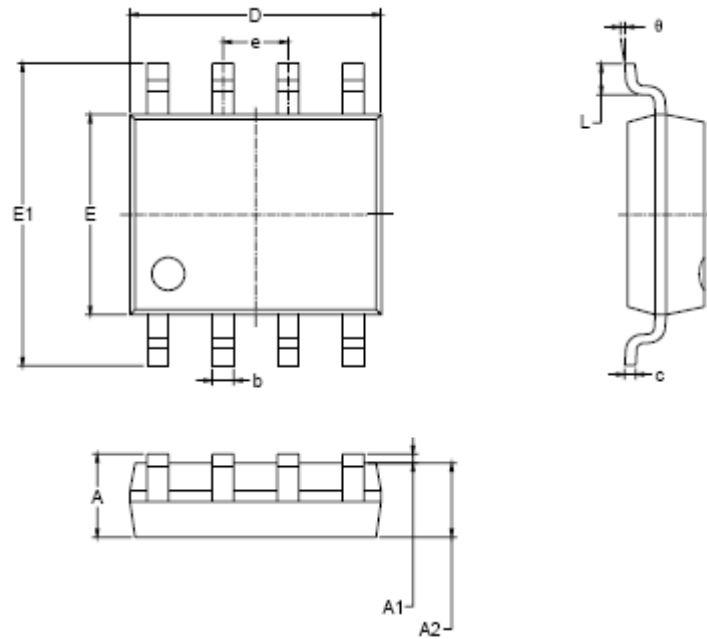
Symbol	Dimensions In Millimeters		Dimensions In Inches	
	Min	Max	Min	Max
A	0.900	1.100	0.035	0.043
A1	0.000	0.100	0.000	0.004
A2	0.900	1.000	0.035	0.039
b	0.150	0.350	0.006	0.014
C	0.080	0.150	0.003	0.006
D	2.000	2.200	0.079	0.087
E	1.150	1.350	0.045	0.053
E1	2.150	2.450	0.085	0.096
e	0.650TYP		0.026TYP	
e1	1.200	1.400	0.047	0.055
L	0.525REF		0.021REF	
L1	0.260	0.460	0.010	0.018
θ	0°	8°	0°	8°



MSOP-8



Symbol	Dimensions In Millimeters		Dimensions In Inches	
	MIN	MAX	MIN	MAX
A	0.820	1.100	0.032	0.043
A1	0.020	0.150	0.001	0.006
A2	0.750	0.950	0.030	0.037
b	0.250	0.380	0.010	0.015
c	0.090	0.230	0.004	0.009
D	2.900	3.100	0.114	0.122
E	2.900	3.100	0.114	0.122
E1	4.750	5.050	0.187	0.199
e	0.650 BSC		0.026 BSC	
L	0.400	0.800	0.016	0.031
$\theta$	0°	6°	0°	6°



Symbol	Dimensions In Millimeters		Dimensions In Inches	
	MIN	MAX	MIN	MAX
A	1.350	1.750	0.053	0.069
A1	0.100	0.250	0.004	0.010
A2	1.350	1.550	0.053	0.061
b	0.330	0.510	0.013	0.020
c	0.170	0.250	0.008	0.010
D	4.700	5.100	0.185	0.200
E	3.800	4.000	0.150	0.157
E1	5.800	6.200	0.228	0.244
e	1.27 BSC		0.050 BSC	
L	0.400	1.270	0.016	0.050
theta	0°	8°	0°	8°